

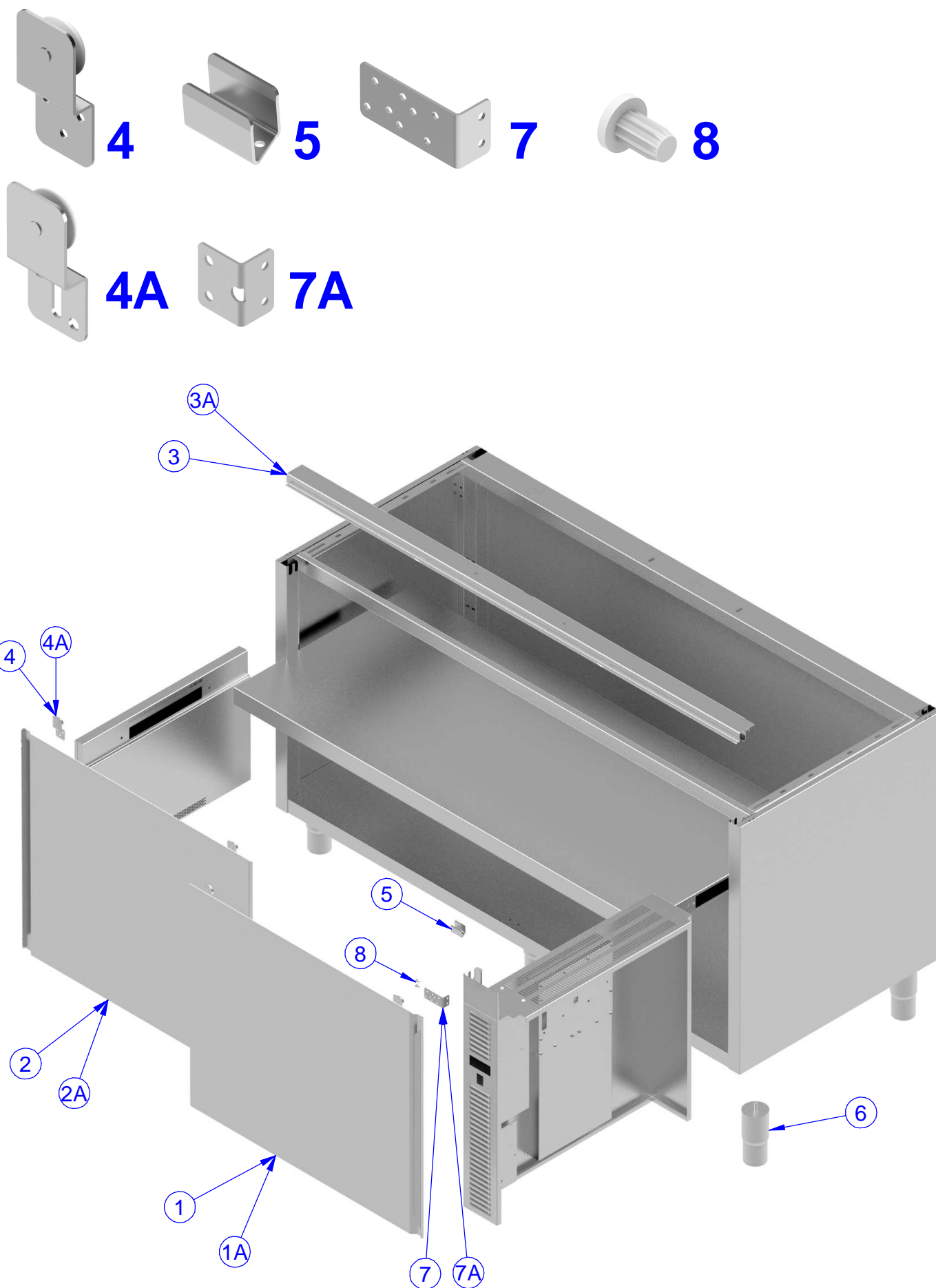
**TAVOLO ARMADIATO CALDO NO TOP 2 PORTE SCORREVOLI
HOT CUPBOARD VENTIL NO TOP 2 SLIDING DOORS**

| PNC | MODEL | L = mm | H = mm | REF | PNC | MODEL | L = mm | H = mm | REF |
|--------|-----------|--------|--------|-----|-----|-------|--------|--------|-----|
| 133189 | RHC1200SD | 1200 | 900 | a | | | | | |
| 133190 | RHC1600SD | 1600 | 900 | b | | | | | |

| Pag. | Descrizione | Description |
|------|---------------|------------------|
| 1 | Indice | Index |
| 2-3 | Disegni | Drawings |
| 4 | Lista ricambi | Spare parts list |

Brand / Marchio: STD

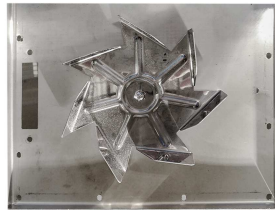
TAVOLO ARMADIATO CALDO NO TOP 2 PORTE SCORREVOLI
HOT CUPBOARD VENTIL NO TOP 2 SLIDING DOORS



TAVOLO ARMADIATO CALDO NO TOP 2 PORTE SCORREVOLI
HOT CUPBOARD VENTIL NO TOP 2 SLIDING DOORS



11



12

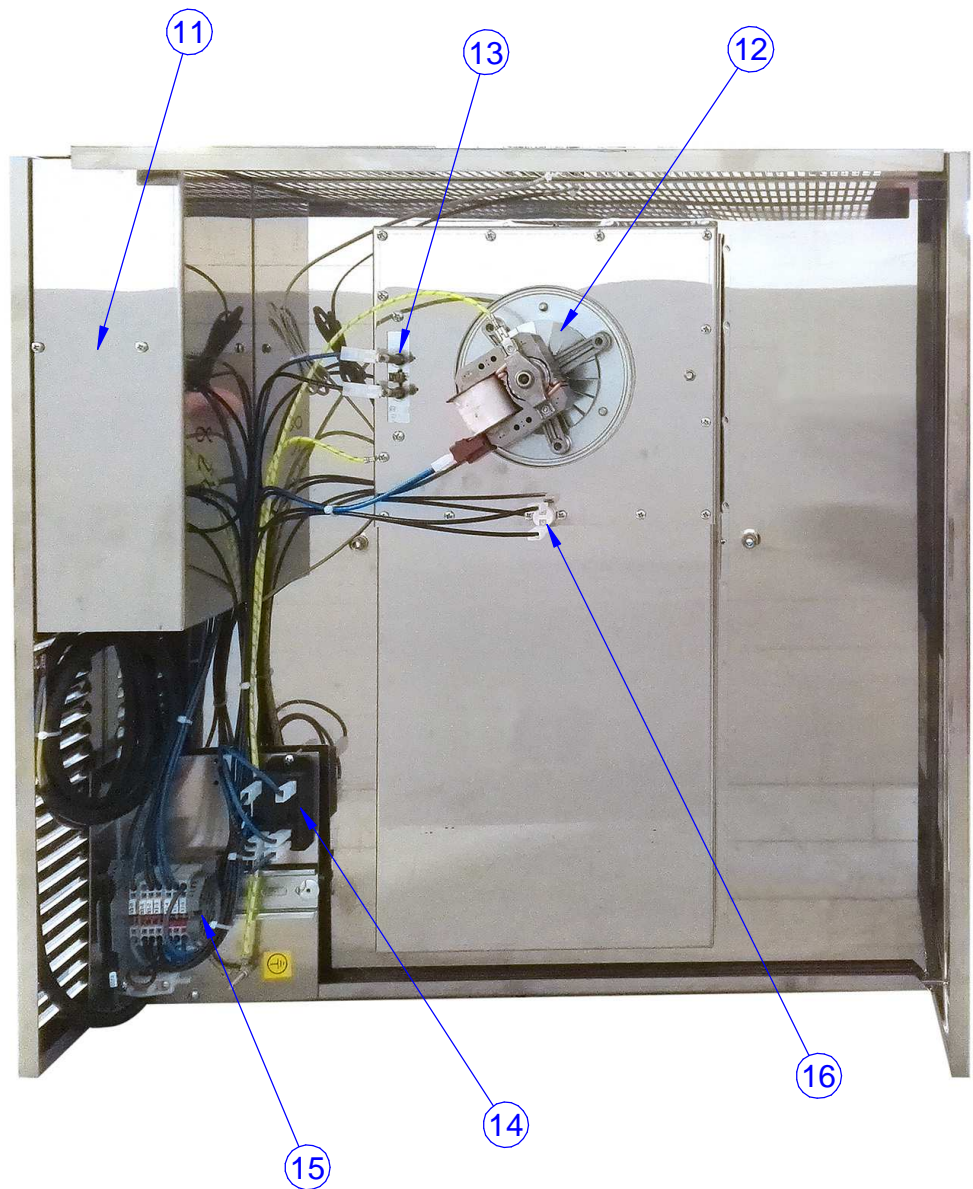


13



9

10



11

13

12

15

14

16

TAVOLO ARMADIATO CALDO NO TOP 2 PORTE SCORREVOLI HOT CUPBOARD VENTIL NO TOP 2 SLIDING DOORS

| POS | (x) Valido dal Seriale 908 xxx To be used from S/N 908 xxx | COD | DESCRIZIONE | DESCRIPTION | Alias code | NOTES/REF. |
|-----|--|--------|--|--|------------|------------|
| 1 | | 0PE995 | Porta scorrevole destra 1200 | Right sliding door 1200 | 21400A046 | a |
| 1A | x | | | | 2140AA046 | |
| 1 | | 0PEB04 | Porta scorrevole destra 1600 | Right sliding door 1600 | 21400A006 | b |
| 1A | x | | | | 2140AA006 | |
| 2 | | 0PE996 | Porta scorrevole sinistra 1200 | Left sliding door 1200 | 21400A045 | a |
| 2A | x | | | | 2140AA045 | |
| 2 | | 0PEB07 | Porta scorrevole sinistra 1600 | Left sliding door 1600 | 21400A007 | b |
| 2A | x | | | | 2140AA007 | |
| 3 | | 0PEA87 | Guida Porte Scorrevoli 1200 | Guida Porte Scorrevoli 1200 | 21400A047 | a |
| 3A | x | | | | 2140AA047 | |
| 3 | | 0PEA89 | Guida Porte Scorrevoli 1600 | Guida Porte Scorrevoli 1600 | 21400A005 | b |
| 3A | x | | | | 2140AA005 | |
| 4 | | 0PEA43 | CarrelloPorta scorrevole | CarrelloPorta scorrevole | 21400A008 | a,b |
| 4A | x | | | | 2140AA008 | |
| 5 | | 0PEA45 | Pattino porte scorrevoli | Pattino porte scorrevoli | 20400A021 | a,b |
| 6 | | 0PEA92 | Piede regolabile | Piede regolabile | 254000203 | a,b |
| 7 | | 0PEA46 | Freno Porta scorrevole | Freno Porta scorrevole | 20400A018 | a,b |
| 7a | x | | | | 2040AA018 | |
| 8 | | 0PEA51 | Batti Porta Ø4 | Batti Porta Ø4 | 254000208 | a,b |
| 9 | | 0PEB31 | Digital Thermostat (EV3B21N7+SONDA (EVTPN615F200)) | Digital Thermostat (EV3B21N7+SONDA (EVTPN615F200)) | 256700003 | a,b |
| 10 | | 0PEB32 | Bipolar sw itch (4107150) | Bipolar sw itch (4107150) | 256700002 | a,b |
| 11 | | 0PEB33 | Fan 95x95 230VAC (45109624) | Fan 95x95 230VAC (45109624) | 256700008 | a,b |
| 12 | | 0PEB34 | Fan 230VAC (8077C) | Fan 230VAC (8077C) | 256700006 | a,b |
| 13 | | 0PE951 | Heather 2400W (6109157) | Heather 2400W (6109157) | 256700005 | a,b |
| 14 | | 0PE749 | Relay electromagnetic (T92P7A22-240) | Relay electromagnetic (T92P7A22-240) | 256700004 | a,b |
| 15 | | 0PE747 | Fuses 6.3x32 15A (305015) | Fuses 6.3x32 15A (305015) | 256700001 | a,b |
| 16 | | 0PEB55 | Safety thermostat | Safety thermostat | 256700007 | a,b |